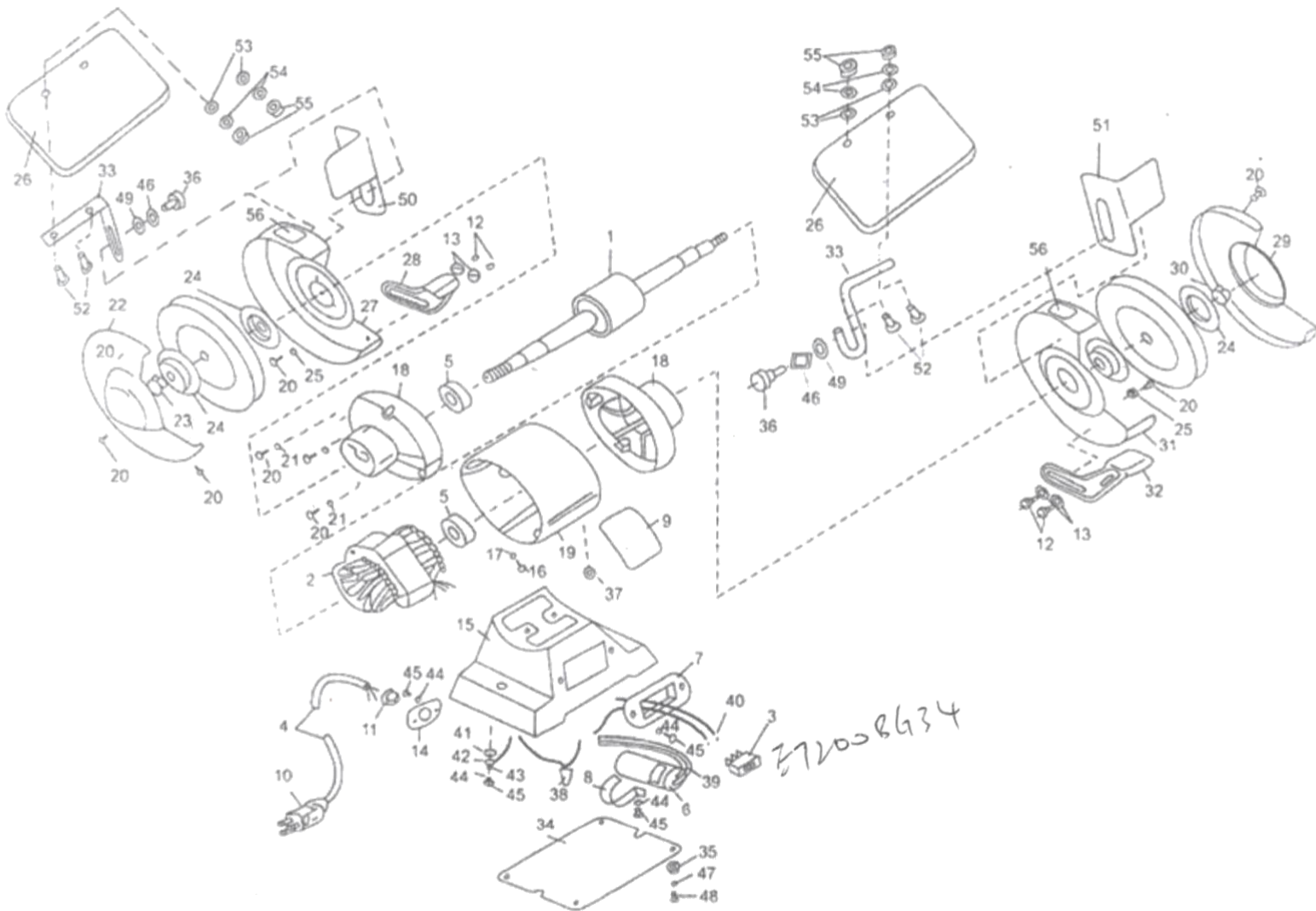


BENCH GRINDER DIAGRAM

MODEL : BG6375W/ BG8650W/ BG8550W/ BG10750W





BENCH GRINDER PART LIST

MODEL : BG6375W / BG8650W / BG8550W / BG10750W

No	Serial No.	Description	No	Serial No.	Description
1	T018.1	Wheel	27	T018.27	Washer
2	T018.2	Screw	28	T018.28	Workpiece Support (right)
3	T018.3	Screw	29	T018.29	Washer
4	T018.4	Washer	30	T018.30	Spring Washer
5	T018.5	Guard Holder	31	T018.31	Star Grip
6	T018.6	Spring Washer	32	T018.32	Screw
7	T018.7	Nut	33	T018.33	Screw
8	T018.8	Guard	34	T018.34	Switch
9	T018.9	Bearing	35	T018.35	Switch plate
10	T018.10	Spindle	36	T018.36	Rubber Foot
11	T018.11	Rotor	37	T018.37	Base Plate
12	T018.12	Winding	38	T018.38	Screw
13	T018.13	Stator Axle	39	T018.39	Capacitor
14	T018.14	Spring	40	T018.40	Screw
15	T018.15	Label	41	T018.41	Power Cord
16	T018.16	Middle	42	T018.42	Side Cover (left)
17	T018.17	Side Housing	43	T018.43	Nut
18	T018.18	Cover Plate (right)	44	T018.44	Cover plate (left)
19	T018.19	Round Cover	45	T018.45	Workpiece support (left)
20	T018.20	Inner Flange	46	T018.46	Screw
21	T018.21	Wheel Label	47	T018.47	Cap
22	T018.22	Wheel	48	T018.48	Spindle
23	T018.23	Nut	49	T018.49	Cord Sleeve
24	T018.24	Side Cover (right)	50	T018.50	Nut
25	T018.25	Screw	51	T018.51	Base
26	T018.26	Screw	52	T018.52	Washer