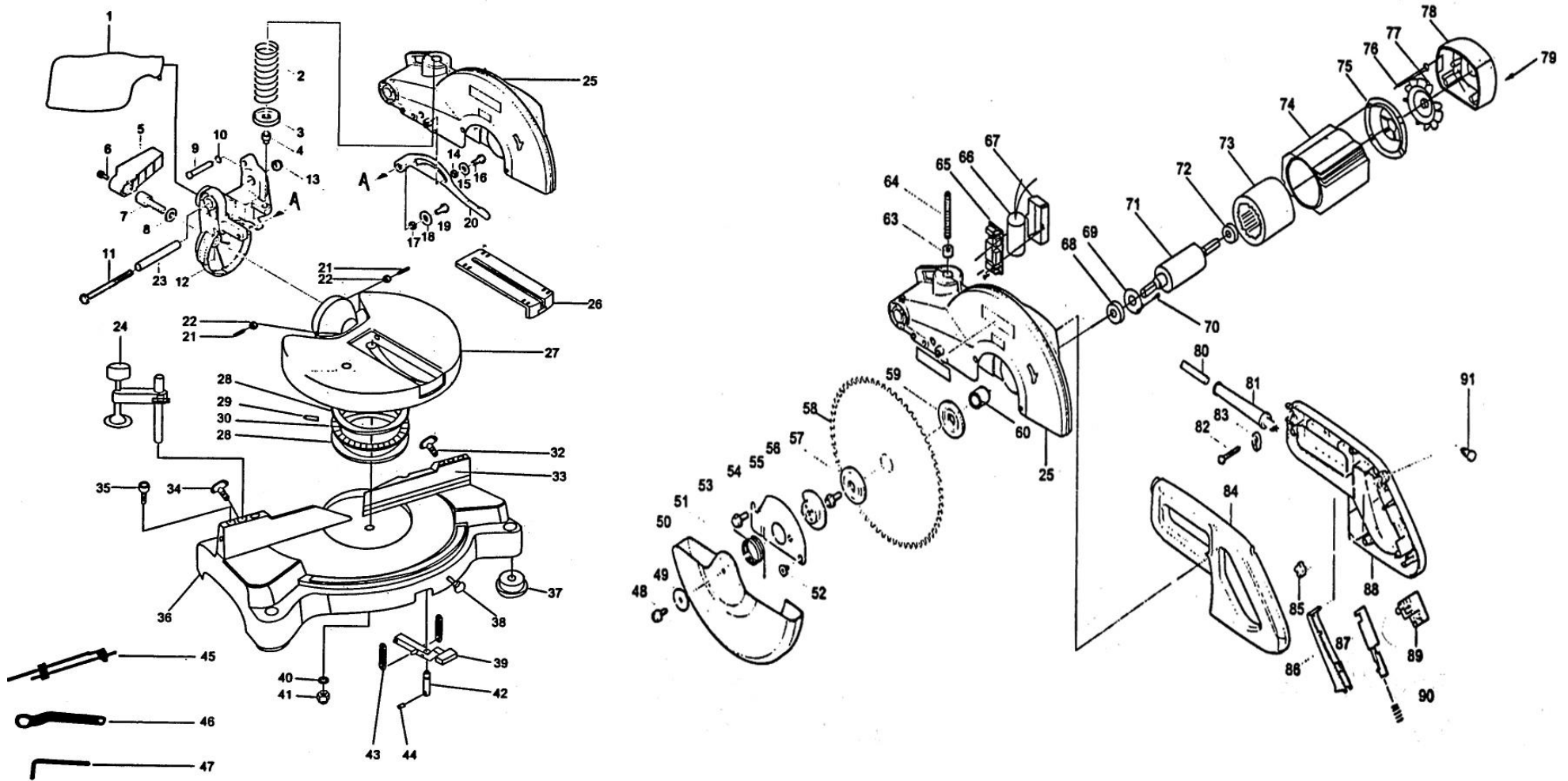


# 10" & 12" MITRE SAW DIAGRAM - MODEL : SK10 & SK12





# 10" & 12" MITRE SAW MODEL : SK10 / SK12 SPARE PARTS LIST

No	Description	No	Description	No	Description
1	Dust Bag	32	Wing Bolt M6 X 20mm	64	Pin Screw M8 X 75
2	Compression Spring	33	Fence	65	Brake System
3	Spring Holder	34	Wing Bolt M6 X 20mm	66	Capacitor
4	Pin	35	Hex Soc HD Screw M8 X 40mm	67	Plaster Cover
5	Lever	36	Base	68	Ball Bearing (6203)
6	P.H Screw M4 X 10mm	37	Cushion	69	Bearing Cover
7	Hex.Bolt M10	38	Wing Bolt M6 X 35m	70	Pan HD Screw M4X8mm
8	Flat Washer 10	39	Lever	71	Rotor
9	Stopper Pin	40	Flat Washer M12	72	Ball Bearing (6202)
10	Oring	41	M12 Locknut	73	Stator
11	M12 Hex HD Screw	42	Lock Pin $\phi$ 10X43mm	74	Motor Housing
12	Support ARM	43	Spring $\phi$ 8X21X0.7mm	75	Rear Cover
13	M12 Locknut	44	Spring Pin $\phi$ 3X30mm	76	Hex HD Screw M5X180mm
14	Ring 7	45	Bar Clamp	77	Fan
15	Flat Washer 7	46	Hex Wrench	78	Plastic Cover
16	H.S.B Head bolt M6	47	Hex Key	79	Pan HD Screw M5X30mm
17	Ring 7	48	Blade Bolt	80	Power Cord
18	Flat Washer 7	49	Flat Washer	81	Cord Guard
19	H.S.B Head Bolt M6	50	Safety Cover	82	Tapping Screw 4X18
20	Link Plate	51	Torsion Spring	83	Strain Relief
21	Pin Screw M6 X 30mm	52	H.S.H Bolt M6	84	Left Handgrip + #88
22	Nut M6	53	H.F.H Bolt M8 X 12	85	Cam
23	Steel Pipe	54	Center Cover	86	Switch Lever
24	Vertical Vise	55	Center Plate	87	Lock Of Lever
25	Blade Board	56	H.F.H Bolt M8 X 20	88	Right Handgrip + #84
26	Kerf Board	57	Outer Flange	89	Switch
27	Table	58	Saw Blade	90	Compression Spring
28	Bearing Flat	59	Inner Flange	91	Switch Button
29	Pin	60	Steel Tube		
30	Pin Holder	63	M8 Nut		