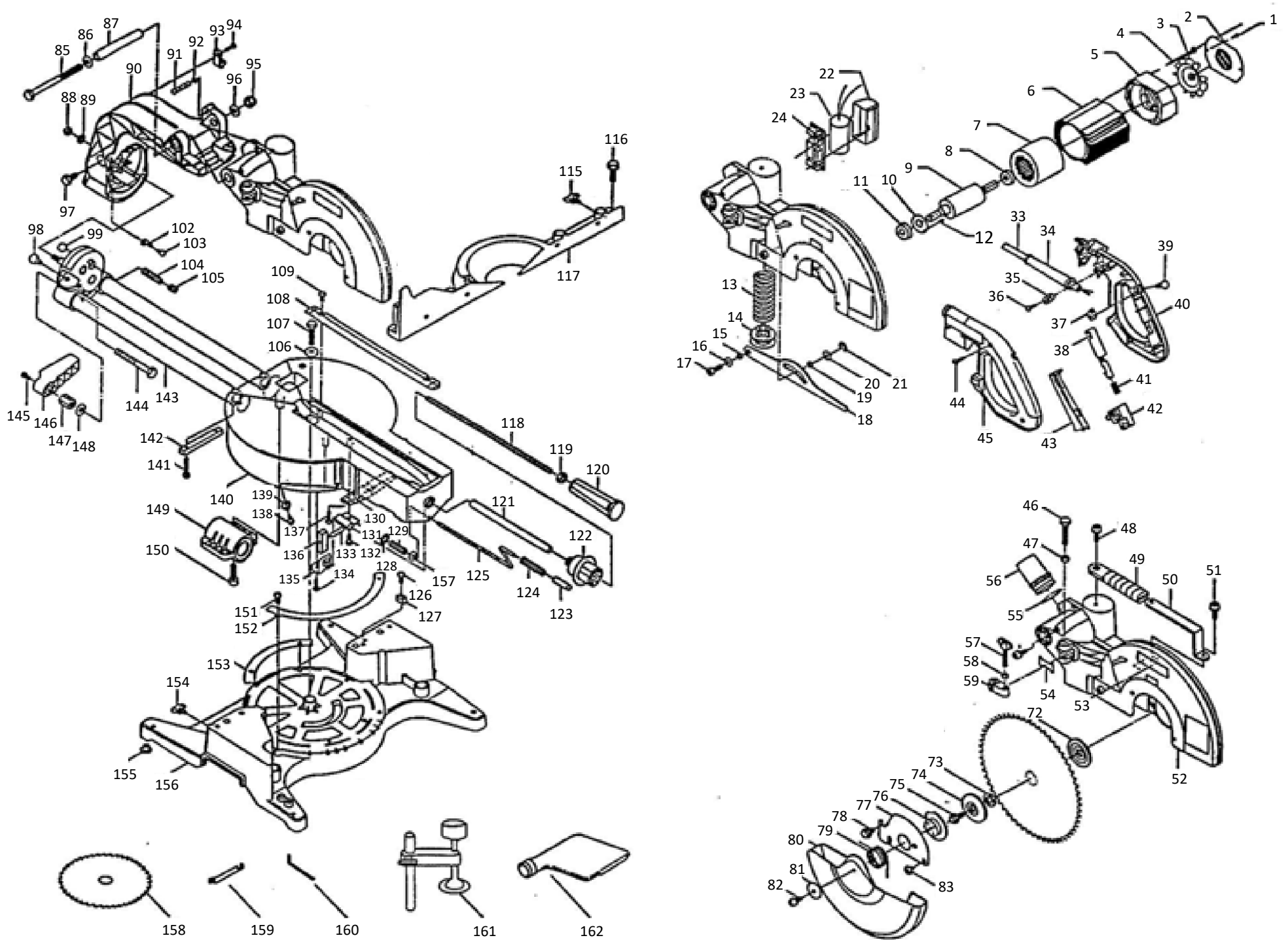


12" SLIDING MITRE SAW DIAGRAM - MODEL : SK12S





12" SLIDING MITRE SAW

MODEL : SK12S

SPARE PARTS LIST

No	Description	No	Description
1	M5 X 10MM Pan HD Screw	89	F.Washer 8
2	Rear Cover	90	ARM Complete
3	Fan	91	Stopper Pin
4	M5 X 180MM Hex HD Screw	92	O Ring 7
5	End Cover	93	Strain Relief
6	Motor Housing	94	Tapping Screw 4X12
7	Field	95	Hex Lock Nut M10
8	Ball Bearing	96	F.Washer 10
9	Armature	97	Hex Bolt M8X28
10	Bearing Cover	98	Hex Bolt M8X28
11	Ball Bearing	99	Steel Ball 10
12	M4X8MM Pan HD Screw	102	Indication Plate
13	Compression Spring 3	103	P.H Screw M4X10
14	Spring Holder	104	Compression Spring 5
15	Ring 6	105	Hex Socket Head Bolt M12X12
16	F.Washer 6	106	F. Washer 8
17	H.S.H Bolt M6X20	107	Hex Bolt M8X40
18	Link Plate	108	Kerf Board F
19	Ring 6	109	Screw M4X12
20	F.Washer 6	109	Tapping Screw 4X12
21	Stop Ring E-5	115	Screw M6X10
22	Capacitor Cover	116	Hex Bolt M8X30
23	Capacitor	116	Hex Bolt M8X30
24	Electric Break System	117	Guide Fence
33	Cord (2X14X8 SJ)	118	Screw M8X320
34	Cord Guard	119	Hex Nut M8
35	Strain Relief	120	Grip 37
36	Tapping Screw 4X18	121	Pipe 9-200
37	Cam	122	Knob 48 Complete
38	Lock Off Lever	123	Cap 10
39	Switch Button	124	Coil Spring
40	Handle Set + #45	125	Lock Pin
41	Comp. Spring 3	126	Tapping Screw 4X16
42	Switch	127	Leaf Spring

43	Switch Lever	128	Stop Ring E-5
44	Tapping Screw 4X18	129	Comp. Spring 6
45	Handle Set + #40	130	Pin Holder
46	Hex Bolt M8X45	131	Slide Stopper
47	Rubber Ring 6	132	P.H Screw M6
48	P.H Screw M6X	133	Pin 5
49	Grip	134	Tapping Screw 4X16
50	Grip Holder	135	Stopper Holder
51	P.H Screw M6X16	136	Turn Stopper
52	Blade Case Complete	137	Tapping Screw 4X16
53	Mark	138	P.H Screw M4X10
54	Stopper ARM Plate	139	Indication Plate
55	P.H Screw M4X10	140	Turn Base Complete
56	O Ring 35	141	Hex Bolt M6X35
57	Dust Nozzle	142	Square Rod Complete
58	Screw M6X43	143	ARM Holder Complete
59	Ring 5	144	H.Bolt M10X100
60	Stopper ARM	145	P.H Screw M4X10
72	Flange 53	146	Lever 100
73	Ring 15.88	147	Hex Nut M10-17
74	Flange 53	148	F.Washer 10
75	H.F.H Bolt M10X20	149	Bearing Box B Complete
76	Center Plate	150	H.S.H Bolt M8X30
77	Center Cover	151	Tapping Screw 4X12
78	H.F.H Bolt M8X12	152	Miter Scale Plate
79	T.Spring 45	153	Slide Plate
80	Safety Cover	155	Cap 20
81	F.Washer 6	156	Base Complete
82	P.H Screw M5X12	157	F.Washer 6
83	F.H Screw M5	158	Saw Blade
84	P.H Screw M5X16	159	Socket Wrench
85	H.Bolt M10X130	160	Hex Key
86	F.Washer 1	161	Vertical Vise
87	Pipe	162	Dust Bag
88	Hex Lock Nut M8-13		