

TABLE SAW DIAGRAM - MODEL : SKTS12Q

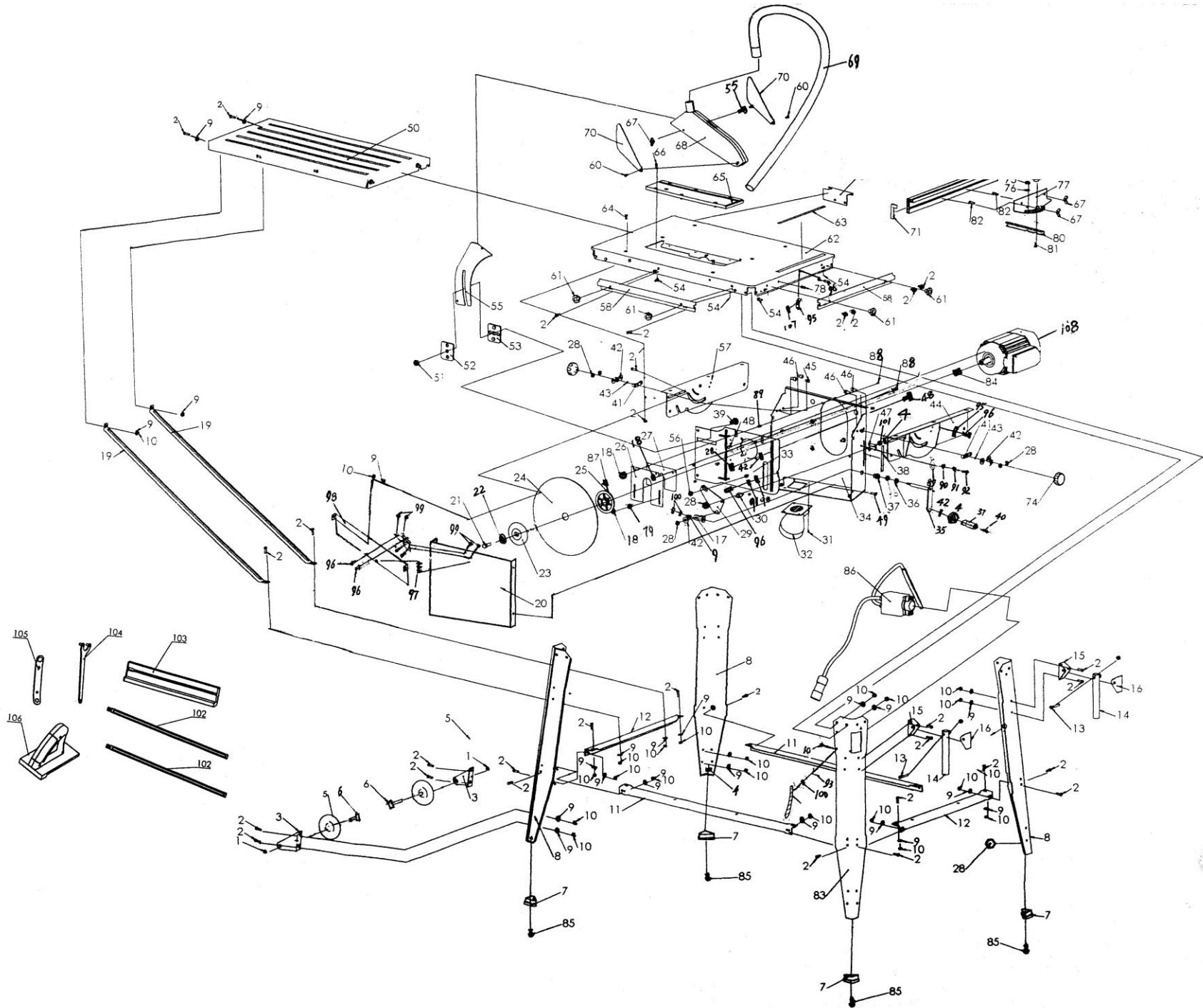




TABLE SAW

MODEL : SKTS12Q

PARTS LIST

No	Description	No	Description	No	Description
1	O Ring	34	Clip Box	67	Butterfly Knob
2	Screw M6X16	35	Adjusting Handle	68	Blade Guard
3	Wheel Support	36	Nut M10	69	Cannulation
4	Sheath	37	Sleever B	70	Guard Plate
5	Wheel	38	Depth Laber	71	Fance Cover A
6	Wheel Shaft	39	Screw M4X25	72	Fence
7	Slip-on Foot	40	Ring Ø6	73	Fence Cover B
8	Leg B	41	Block	74	Knob
9	Washer Ø6	42	Switch	75	Clip
10	Nut M6	43	O Ring Ø5	76	Plank
11	Plate Sideward	44	Angle Plate A	77	Guide
12	Plate Front	45	Screw	78	Spring Pin
13	Nut M8X50	46	Screw With Pin	79	Pin
14	Handle	47	Indicator	80	Guiding Rod
15	Handle Plate A	48	Screw M8X16	81	Screw A
16	Handle Plate B	49	Motor	82	T Screw
17	Joint	50	Extend Table	83	Leg A
18	Nut M4	51	Nut M12	84	Sheath
19	Support Plate A	52	Pressure Plate	85	Screw M8X10
20	Clip Box Lid	53	Support	86	Screw M8X10
21	Screw M10X20	54	Screw B	87	Washer Ø8
22	Ring	55	Splitting Wedge	88	Screw M4X25
23	Blade Plate A	56	Ring	89	Sleever
24	Blade	57	Angle Plate B	90	Cable Wire
25	Blade Plate B	58	Rail		
26	Side Cover	59	Dush Support		
27	Cover	60	Screw		
28	Screw M8	61	Knob B		
29	Lever Plate	62	Work Table		
30	Screw	63	Laber C		
31	Screw M4X12	64	Screw For Table		
32	Dust Collect	65	Table Insert		
33	Tip	66	Screw M5X16		